



Yardarm™

Holster Aware Sensor



User Guide

Version 1.0.1 • Model S-XHA-AA • November 2020

Table of Contents

Introduction	3
Elements of The Sensor.....	3
Setup	4
In The Box	4
Prep	4
Pairing.....	4
Care and Maintenance	5
Battery Life	5
Charging.....	5
Remaining Charge.....	5
Installation.....	6
Overview.....	6
Mounting location	7
Holster Aware Setup App	8
Test the Location.....	10
Adhere the Sensor.....	11
Verify Operation	11

Introduction

The Yardarm Holster Aware model S-XHA-AA is a highly advanced yet compact sensor. It enables nearly any make and model of holster to detect when and whether a firearm is present.

When paired with a smartphone or body-worn camera, Holster Aware is able to initiate video recording in response to firearm use, and to annotate video footage with data indicating the handling and use of firearms.

Elements of The Sensor

1. Indicator Light

Light blinks **RED** when connected to power and charging.

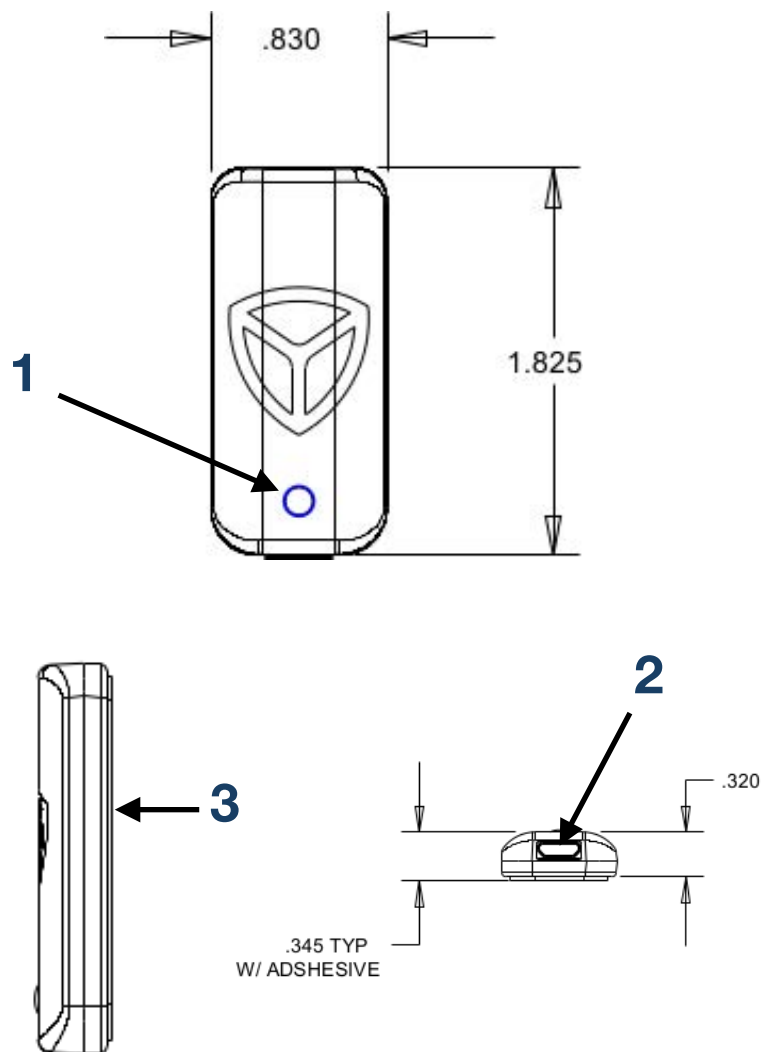
Light blinks **GREEN** when fully charged.

2. Charging Port

Standard Micro USB style port.
Compatible with common smartphone cables and chargers.

3. Adhesive Tape

For attaching to a holster. Requires special preparation – see Installation steps. **DO NOT REMOVE STRIP** until you area ready to install.



Setup

In The Box

- One (1) – Holster Aware sensor
- One (1) – Micro USB charge cable
- One (1) – 3M primer ampule (pictured below)



Prep

1. Remove the sensor, charge cable, and primer ampule from its packaging.
2. Charge the battery. Sensors will arrive with a variable amount of charge already present in the batter. Before use, we recommend charging for a minimum of four hours, or until full

Pairing

1. Supply power to the sensor using the charging cable. This places the sensor in 'pairing mode'.
2. Go to the Bluetooth settings and follow instructions specific to your phone or body-worn camera.

Care and Maintenance

Battery Life

The Holster Aware sensor will provide between 14 and 21 days of continuous use between charges.

The battery is rated for 300 charge cycles.

Charging

Supply power to the charge cable via its USB-A plug. Insert the Micro USB end of the cable into the charge port on the sensor. The sensor requires an input of +5VDC to be supplied, which can be achieved with most mobile phone chargers or computer USB ports.

The indicator light will begin blinking **RED**.

When the light changes to blinking **GREEN**, the battery is fully charged.

Charging a depleted battery can take up to eight hours. We recommend charging the sensor in advance of the battery becoming fully depleted.

Remaining Charge

Your connected device can display the amount of charge remaining in of your Holster Aware battery. If available, this battery status is displayed similar to other connected Bluetooth accessories.

Installation

Overview

Installation of the sensor involves four primary steps:

1. Find a mounting location

Each make and model of holster can have a different optimal location. Once identified, you may perform additional installations using this same location for the same holster model is the same.

2. Test and verify

Double-check to ensure the holster sensor is operating properly before beginning adhesion.

3. Adhere the sensor

The adhesive material on Holster Aware forms a very strong bond, and is single-use by nature. Ensure your location is tested. You will have only once chance to adhere the sensor.

4. Verify operation

One last time before deploying the holster to the field.

Mounting location

Before proceeding you must safely unload your firearm. Remove any and all ammunition. Ensure there is no live round in the barrel.

As a rule, Yardarm recommends placement on the outward-facing portion of the holster, toward the bottom the the holster housing the end of the gun barrel. Look for a flat, even portion of the holster the size and shape of the sensor.

The sensor must be oriented with its charge port down, facing the bottom of the holster. When the holster is worn, the charge port should face the ground.



Holster Aware Setup App

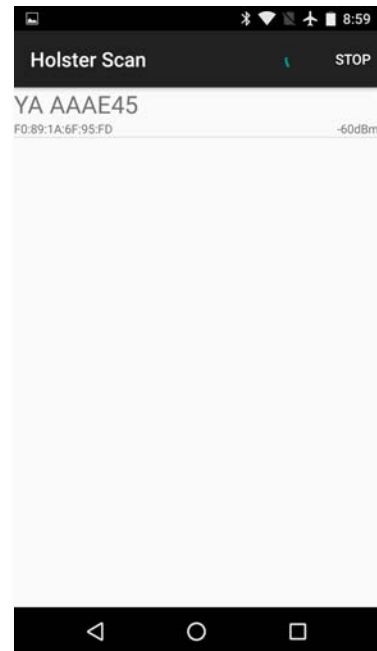
Yardarm provides a mobile application to assist in sensor placement. Available for Android devices, the Holster Aware Setup app can be freely downloaded from the Play Store.

5. Download and install the app on an Android device of your choosing.

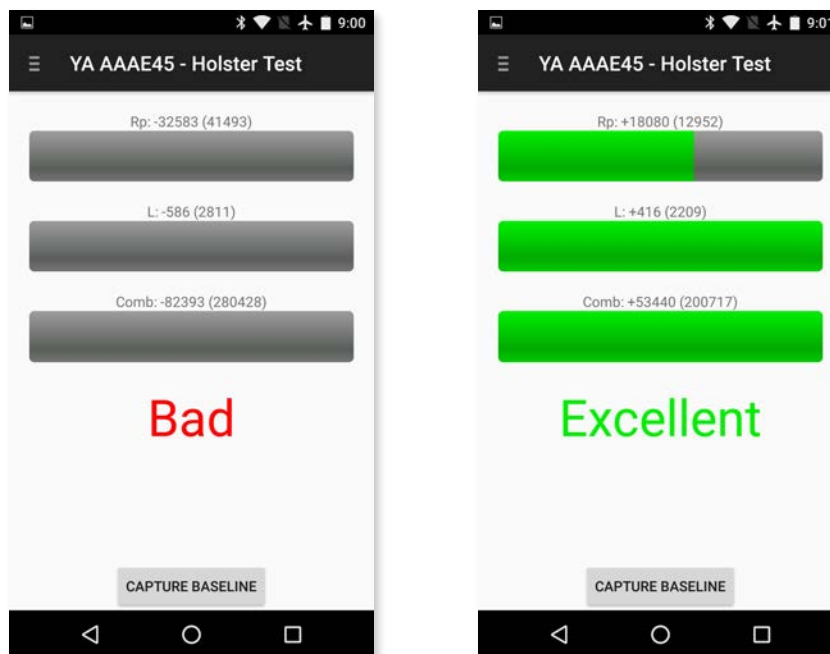
[NB: Not yet in Play Store, ETA Dec. 1]

6. Turn on Bluetooth. Launch the Holster Aware app and grant any necessary permissions.

3. The app begins scan for nearby Holster Aware sensors. Tap the serial number of the sensor you wish to use. You can find the serial number printed on the narrow side of the sensor.



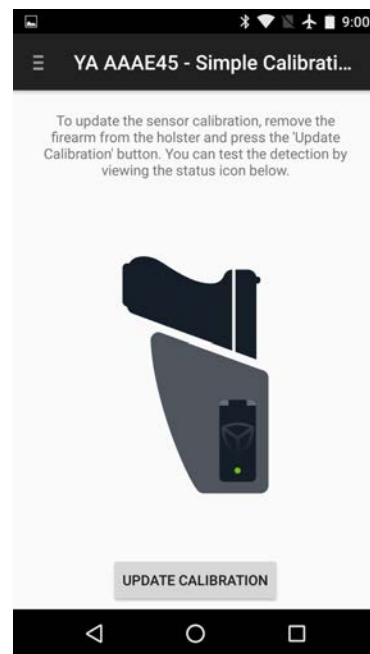
5. Check again and verify your firearm is fully unloaded and safe to handle.
6. Remove the firearm from the holster. 4. Open the menu and select **Holster Test**. The menu is near the top-left of the screen, indicated by three horizontal lines.
7. Place the sensor at a candidate location.
8. Insert the unloaded firearm into the holster.
9. Repeat, steps 6 – 8, adjusting sensor position until a result of Good or Excellent is achieved.



10. When you have a mounting location identified, trace the outline of the sensor with a pencil. Hold the sensor in place with a weakly adhesive tape, such as scotch or painter's tape.

Test the Location

1. With the sensor held, temporarily, in its chosen location...
2. Remove the firearm from the holster.
3. Open the menu and select **Simple Calibration**.
4. Tap the **Update Calibration** button.
3. Insert the firearm into the holster.
4. When detected, the depiction of the firearm will move into the holster.
8. Repeat removing and inserting the firearm. Verify that the sensor and app track correctly.



Adhere the Sensor



1. Clean and then dry the selected mount location to remove any dirt or debris.
2. Shake the primer tube; continue shaking for 10 seconds once you hear ball rattle.
3. Squeeze the sides of the primer tube at mid-point between thumb and finger until you hear the internal tube break.
4. Rub the sponge tip of the primer tube on preferred location of holster, spreading the primer across the eventual footprint of the sensor. Discard the primer tube.
5. Wait 5 minutes for the primer to dry.
6. Remove the liner (white strip with red lettering) from the adhesive tape on the back of the sensor. Avoid touching the exposed tape.



7. Carefully apply sensor to the selected location.
8. Press firmly for 30 seconds to permanently adhere.
9. Allow the bond to cure for at least one hour at room temperature. After an hour, the bond will be strong enough for handling. The bond will reach maximum strength after 72 hours.

Verify Operation

1. Ensure the sensor is paired to your body-worn camera.
2. Remove the firearm from the holster.
3. Tap the **Update Calibration** button.
4. Verify that the camera responds and initiates video recording.

© 2020 Yardarm Technologies. All rights reserved.

Yardarm Technologies, Inc. 1500 41st Ave. Capitola CA 95010 USA
www.yardarmtech.com

Trademarks

Yardarm™, the Yardarm logo, and Holster Aware™ are registered trademarks of Yardarm Technologies, Inc., hereafter just “Yardarm”. All other trademarks or registered trademarks are the property of their respective owners.

Document Lifetime

Yardarm may occasionally update online documentation, Please refer to www.yardarmtech.com/docs for the most current release.

Where to get help

Yardarm support, product, and licensing information can be obtained as follows.

Product information — For documentation, release notes, software updates, or for information about Yardarm products, licensing, and service, go to the Yardarm website at:

<http://www.yardarmtech.com/docs>

Technical support — For technical support, go to <http://www.yardarmtech.com> and select Support. On the Support page, you will see several options, including one for making a service request. Note that to open a service request, you must have a valid support agreement.

Your comments

Your suggestions will help us continue to improve the accuracy, organization, and overall quality of the user publications. Please send your opinion of this document to:

docs@yardarmtech.com

If you have issues, comments, or questions about specific information or procedures, please include the title and, if available, the part number, the revision, the page numbers, and any other details that will help us locate the subject that you are addressing.